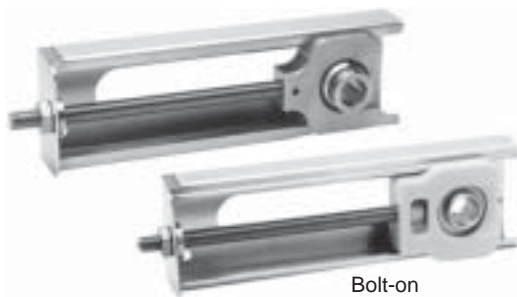




# STAINLESS TAKE-UP FRAMES



Bolt-on

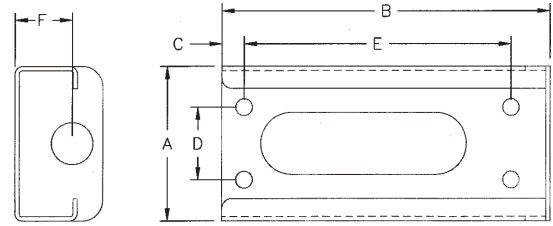


Weld-on frame

## Stainless Steel Take-Up Frames available off the shelf

- Sanitary
- 300 series stainless for maximum corrosion resistance
- Industry interchangeable
- Wide and narrow slot (weld-on only narrow slot)
- Immediate availability for most sizes

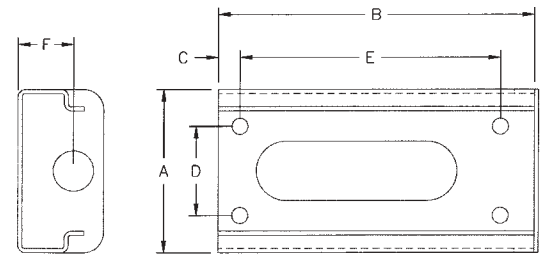
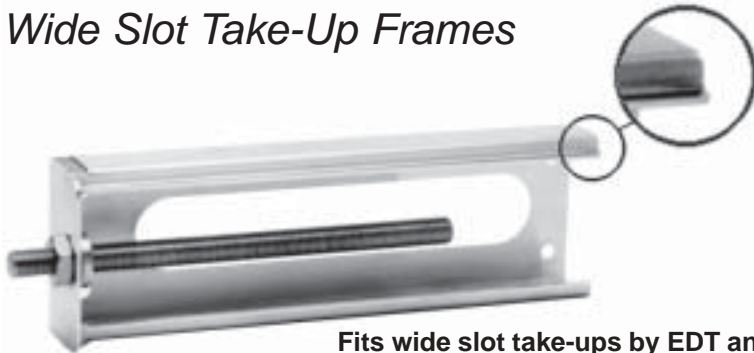
## Narrow Slot Take-Up Frames



Fits narrow slot take-ups by EDT and all manufacturers.

P/N		Frame size		Wt	Bolt pattern for 3/8" bolts			Shaft $\varnothing$ Distance	Track Width	Frame accepts these sizes:		
Size	Travel	A	B	lbs	C	D	E	F		Ring	Group	Shafts
TU5BC -	3	3-3/4	8	2.4	.55	1-3/4	6-1/2	1-25/64	.110	204 205	B C	1/2, 9/16, 5/8, 11/16, 3/4, 20mm 13/16, 7/8, 1, 25mm
	6		11	3.2			9-1/2					
	9		14	4.0			12-1/2					
	12		17	4.8			15-1/2					
TU5DE -	3	4-41/64	9	3.2	.55	2-3/4	7-1/2	1-27/32	.110	206 207	D E	1-1/16, 1-1/8, 1-3/16, 1-1/4, 30mm 1-3/16, 1-1/4, 1-5/16, 1-3/8, 1-7/16, 35mm
	6		12	4.0			10-1/2					
	9		15	4.8			13-1/2					
	12		18	5.3			16-1/2					
	18		24				22-1/2					
TU5FGH -	3	5-1/4	10	4.0	.55	2-3/4	8-1/2	1-63/64	.110	208 209 210	F G H	1-7/16, 1-1/2, 1-9/16, 1-5/8, 40mm 1-1/2, 1-5/8, 1-11/16, 1-3/4, 45mm 1-11/16, 1-3/4, 1-13/16, 1-7/8, 1-15/16, 2, 50mm
	6		13	5.0			11-1/2					
	9		16	6.6			14-1/2					
	12		19	7.8			17-1/2					
	18		25				23-1/2					
	24		31				29-1/2					

## Wide Slot Take-Up Frames



Fits wide slot take-ups by EDT and all manufacturers.

P/N		Frame size		Wt	Bolt pattern for 3/8" bolts			Shaft $\varnothing$ Distance	Track Width	Frame accepts these sizes:		
Size	Travel	A	B	lbs	C	D	E	F		Ring	Group	Shafts
TU7BC -	3	4-1/8	8	2.6	.55	2-1/4	6-1/2	1-25/64	.460	204 205	B C	1/2, 9/16, 5/8, 11/16, 3/4, 20mm 13/16, 7/8, 1, 25mm
	6		11	3.6			9-1/2					
	9		14	4.6			12-1/2					
	12		17	5.4			15-1/2					
TU7DE -	3	4-41/64	9	3.8	.55	2-3/4	7-1/2	1-27/32	.480	206 207	D E	1-1/16, 1-1/8, 1-3/16, 1-1/4, 30mm 1-3/16, 1-1/4, 1-5/16, 1-3/8, 1-7/16, 35mm
	6		12	4.3			10-1/2					
	9		15	5.4			13-1/2					
	12		18	6.3			16-1/2					
	18		24				22-1/2					
TU7FGH -	3	5-1/4	10	4.5	.55	2-3/4	8-1/2	1-63/64	.625	208 209 210	F G H	1-7/16, 1-1/2, 1-9/16, 1-5/8, 40mm 1-1/2, 1-5/8, 1-11/16, 1-3/4, 45mm 1-11/16, 1-3/4, 1-13/16, 1-7/8, 1-15/16, 2, 50mm
	6		13	6.2			11-1/2					
	9		16	7.6			14-1/2					
	12		19	9.8			17-1/2					
	18		25				23-1/2					

Non-stocked items may require minimum orders.

For a completely sanitary Solution®, ask about EDT's polymer and stainless Solution® housings.

**New!**

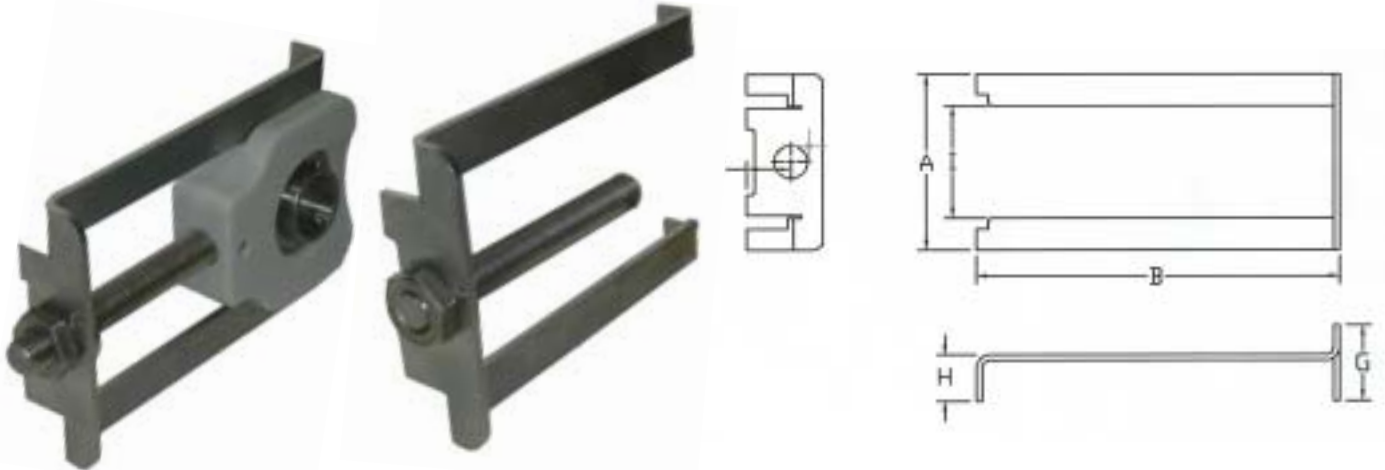
# Weld-on frames All stainless!

*Slimmest construction*

*Most sanitary design*

*Lowest cost*

## Narrow Slot Weld-on Take-Up Frames



**Fits narrow slot take-ups by EDT and all manufacturers.**

P/N	Frame size dimensions are in inches					Shaft $\phi$ Height	Thread	Track Width	Wt lbs	Frame accepts these sizes:					
	Size	Travel	A	B	G					H	I	F	Ring	Group	Shafts
TD5BC -	3			8					1.7	204	B	1/2, 9/16, 5/8, 11/16, 3/4, 20mm			
	6	4-1/2		11	.2-3/8	1.45			1.8						
	9			14			2-5/8	1-3/8	2.0				205	C	13/16, 7/8, 1, 25mm
TD5DE -	3			9					1.8	206	D	1-1/16, 1-1/8, 1-3/16, 1-1/4, 30mm			
	6			12	2-3/8				2.0						
	9	5-17/32		15		1.45	3-7/16	1-3/8	2.4				207	E	1-3/16, 1-1/4, 1-5/16, 1-3/8, 1-7/16, 35mm
	12			18											
TD5FGH -	9			15	2-3/8					208	F	1-7/16, 1-1/2, 1-9/16, 1-5/8, 40mm			
	12	6-9/32		18		1.45	4-1/32	1-3/8	7/8				209	G	1-1/2, 1-5/8, 1-11/16, 1-3/4, 45mm
									-9						

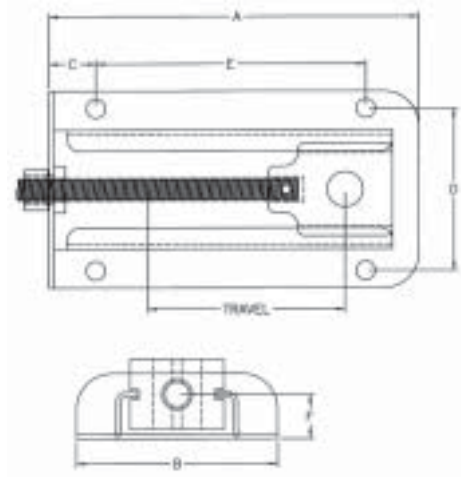
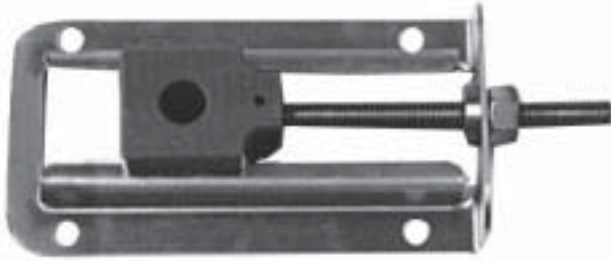


For most modular plastic- and wire- belt conveyors, Poly-Round® bearings are recommended.  
For flat belt conveyors, ball bearings are recommended.

For Poly-Round® bearings .....See page J-10 (AMBER)  
For stainless ball bearings ..... See page K-10 (LT GRAY)

# EDT POLYMER NARROW SLOT TAKE-UP BLOCK BEARINGS

Interchanges with:  
Dodge Bronzoil® Take-up BOTU-\_\_X4



P/N	Frame		Frame size		Bolt pattern for 3/8" bolts			Shaft $\phi$ Distance	Track Width	Frame accepts these sizes: Shafts	Wt.
	Travel	A	B	C	D	E	F				
EDTU	4	7-7/8	4-1/4	1	3-1/2	5-3/4	61/64	.110 x 1-5/8" tall	1/2, 5/8, 3/4, 7/8, 15/16, 1 20mm, 25mm	2 lbs	

Frame is 304 stainless steel  
Bearing is EDT 'NA' material.....see page G-2 (GREEN) for material information