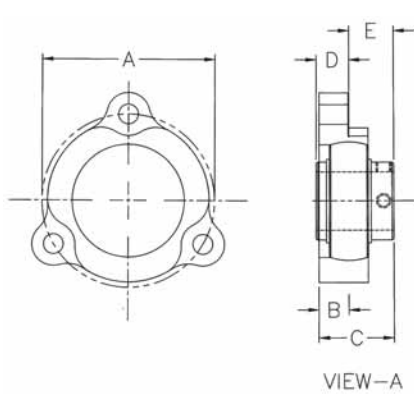


# STAINLESS BALL SOLUTION® MOUNTED THREE BOLT FLANGED HOUSING

Polymer housing with stainless ball bearing



Mounting pattern interchanges with:  
 Dodge SC LF: LF-SC-  
 Fafnir RFD, RFDR  
 Hub City FB100-, FB110-  
 Sealmaster LF-, LF-\_E



P/N Group (Ring)	Shaft Diameter		A in. mm	B in. mm	C in. mm	D in. mm	E in. mm	Housing P/N	Wt. in lbs.	
	mm	inches							(In stainless housing)	(In polymer housing)
ZY22*A8- A (203)	12	1/2 5/8	2.39 60.7	13/32 10.4		29/64 11.5	5/8 15.9	22*A-01		0.32
	15 17		2.50 63.5					22*A		
ZY22*B8- B (204)	12 15 17 20	1/2 5/8 3/4	2-13/16 71.4	29/64 11.5		1/2 12.7	23/32 18.3	22*B		0.45
ZY22*C8- C (205)	25	7/8 15/16 1	3 76.2	33/64 13.1	1-9/32 32.5	9/16 14.3	25/32 19.8	22*C		0.54
ZY22*D8- D (206)	30	1 1-1/8 1-3/16 1-1/4	3-9/16 90.5	37/64 14.73		5/8 15.9	7/8 22.2	22*D		0.9
ZY22*E8- E (207)	35	1-1/4 1-5/16 1-3/8 1-7/16	3-15/16 100.0	11/16 17.5	1-11/16 42.9	11/16 17.5	1 25.4	22*E		1.4
ZY22*F8- F (208)	40	1-7/16 1-1/2	4-11/16 119.1			3/4 19.1	1-11/64 30.2	22*F		
ZY22*G8- G (209)	45	1-1/2 1-11/16 1-3/4	4-3/4 120.7			3/4 19.1	1-11/64 30.2	22*G		
ZY22*H8- H (210)	50	1-15/16 2	5 127.0			3/4 19.1	1-19/64 32.6	22*H		

Other sizes available upon request.

Note: 22 series is only available in polymer.

For polymer HOUSING dimensions.....see page D-15 (GRAY)