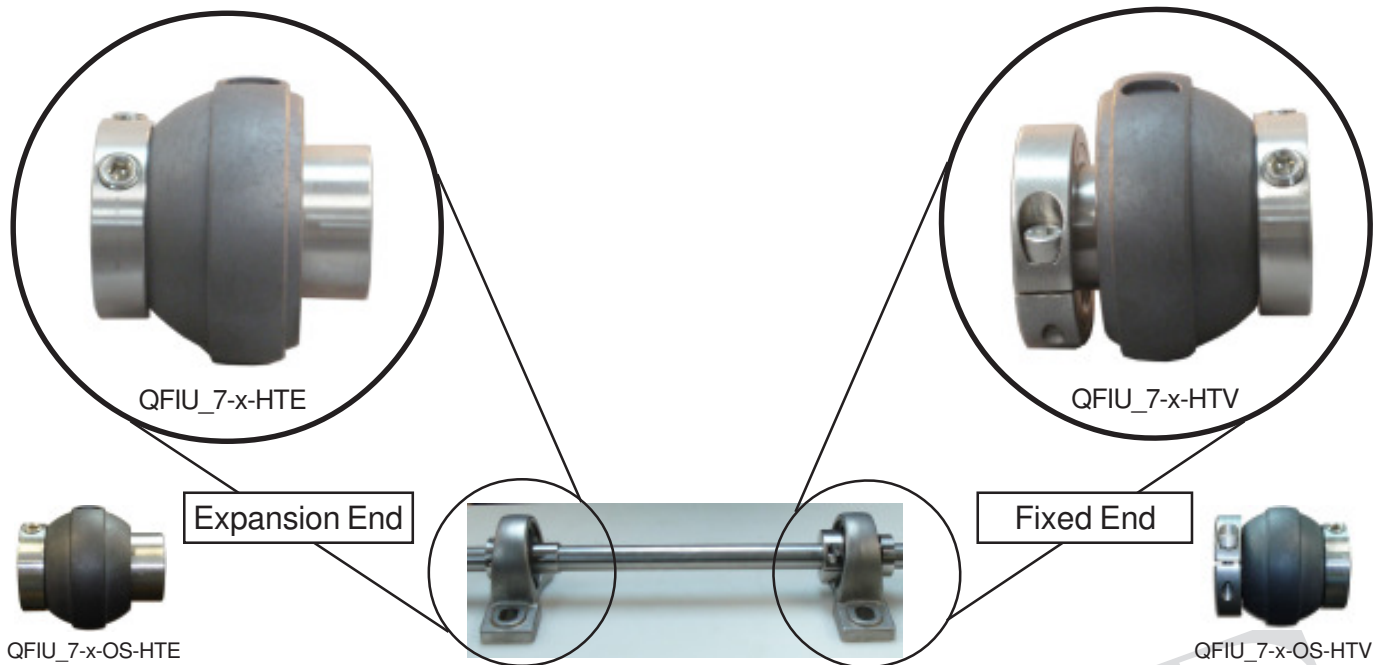




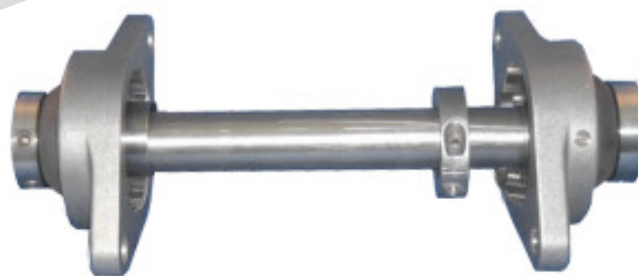
OVEN BEARINGS



EDT oven bearings accommodate shaft expansion as temperatures change

Elevated temperatures cause all materials to expand. Unless bearings accommodate the expansion that occurs on the equipment, there will be premature failure. EDT oven bearings accommodate shaft expansion as temperatures change by using a fixed bearing on one end of a shaft, and an expansion bearing on the opposite side. This allows the shaft to float within the mounted bearing.

EDT's standard line of oven bearings accommodates shaft expansion up to 0.6 inches/15 mm. If more expansion is required, custom products can be designed. Ask about even more advantages of our OS series bearings for ovens.

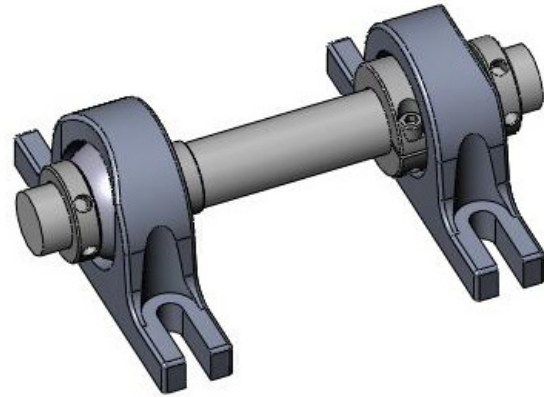


edtcorp.com
edtsales@edtcorp.com

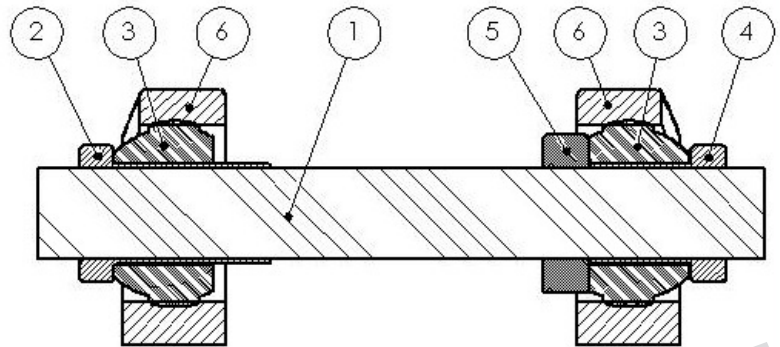
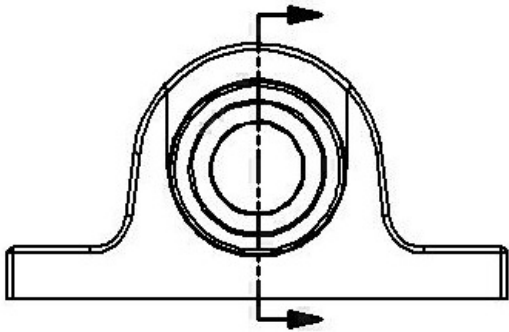
EDT CORP
1006-J NE 146th Street
Vancouver, WA 98685

PHONE 360-574-7294
FAX 360-574-3834

Item	PART NUMBER	QTY.
1	Shaft	1
2	ZALU_6-04 -x	1
3	QFIU_O-x	2
4	ZAL_C6 -x	1
5	Shaft Collar	1
6	TA_	2



Oven Bearing Assemble



DRAFT